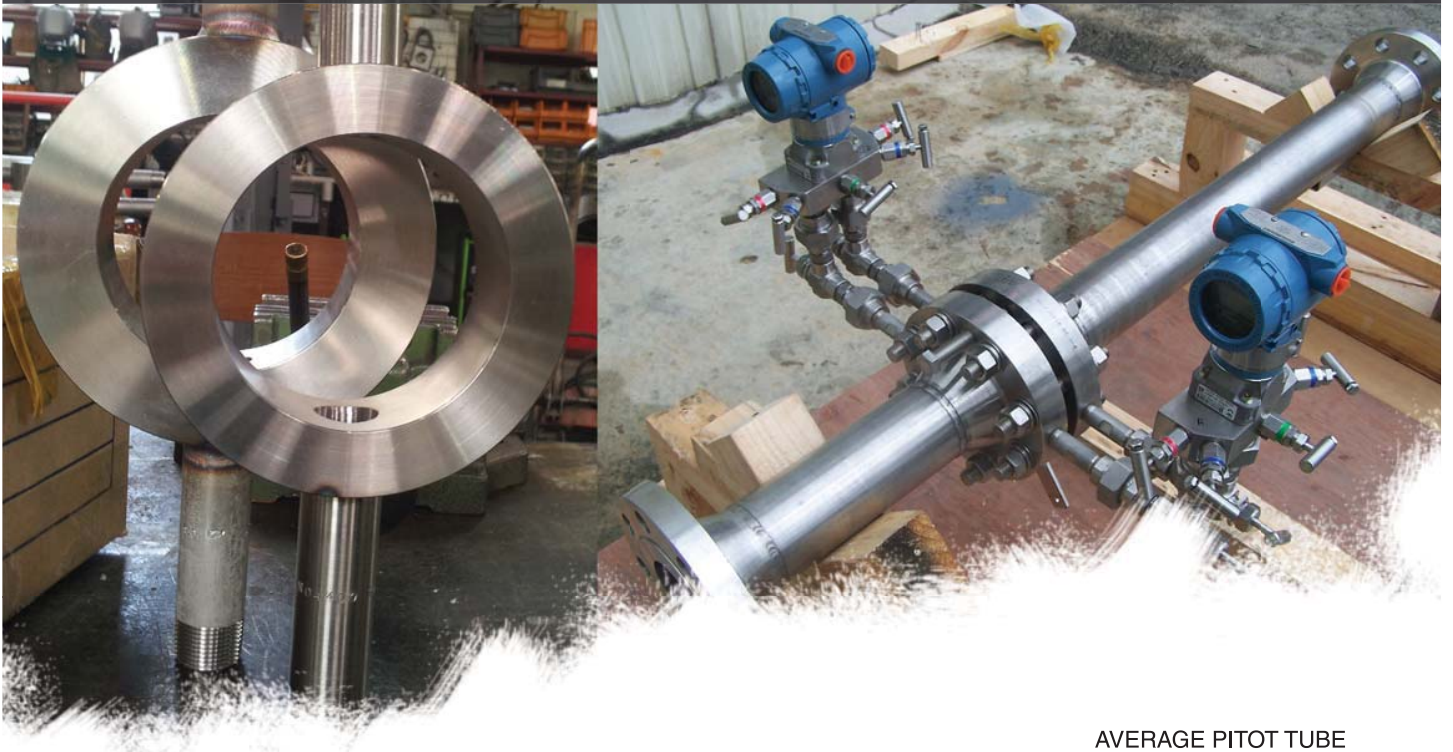




DAE HAN INSTRUMENT Products Guide



AVERAGE PITOT TUBE

ANNULAR VENTURI METER

ORIFICE

VENTURI TUBE

VENTURI NOZZLE

FLOW NOZZLE

WEDGE METER

GAS FLOW METER



ISO 9001
ISO 14001



ISO 9001
ISO 14001

Contents

3

AVERAGE PITOT TUBE	4
ANNULAR VENTURI METER	5
ORIFICE	6
VENTURI TUBE	9
VENTURI NOZZLE	10
FLOW NOZZLE	11
WEDGE METER	12
GAS FLOW METER	13
PARSHALL FLUME	13
FLOW COMPUTER	14
FLOW CONDITIONER	14
CONDENSATE POT	14
STEADY FLOW METER	15
THERMOCOUPLE	16
SHEATH THERMOCOUPLE	16
RESISTANCE TEMPERATURE DETECTOR	16
SHEATH RESISTANCE TEMPERATURE DETECTOR	16
THERMO WELL	16
TEMPERATURE TRANSMITTER	17
EXTENSION & CONDENSATING CABLE	17
FLOW VELOCITY METER	18
PITOT TUBE & TEMP' ELEMENT OF CALIBRATED DENSITY	18
TEMPERATURE ELEMENT	18
SAMPLE GAS PROBE	18
INSTRUMENT RING & DRIP RING	19



AVERAGE PITOT TUBE

4

AVERAGE PITOT TUBE
301 TYPE



- Features : Easy to install
- Installation : 3B~16B Pipe & Duct
- Material : STS316, Inconel, Monel, Hastelloy
- Mounting Connection : Screw & Flange
- Measurement : Liquid & Gas not included sludge
(Fluid with high viscosity is unacceptable)
- Accuracy : $\pm 1.5\%$

AVERAGE PITOT TUBE
302 TYPE



- Features : Suitable for large caliber.
- Installation : 10B~120B Pipe & Duct
- Material : STS316, Inconel, Monel, Hastelloy
- Mounting : Screw & Flange
- Measurement : Liquid & Gas not included sludge
(Fluid with high viscosity is unacceptable)
- Accuracy : $\pm 1.5\%$

AVERAGE PITOT TUBE
303 TYPE



- Features : Shot-off fluid after remove element on maintenance
- Installation : 3B~16B Pipe & Duct
- Material : STS316, Inconel, Monel, Hastelloy
- Mounting Connection : Screw & Flange
- Measurement : Liquid & Gas not included sludge
(Fluid with high viscosity is unacceptable)
- Accuracy : $\pm 1.5\%$

AVERAGE PITOT TUBE
304 TYPE



- Features : Installation & maintenance can be done in operation
- Installation : 3B~16B Pipe & Duct
- Material : STS316, Inconel, Monel, Hastelloy
- Mounting Connection : Screw & Flange
- Measurement : Liquid & Gas not included sludge
(Fluid with high viscosity is unacceptable)
- Accuracy : $\pm 1.5\%$

ANNULAR VENTURI METER

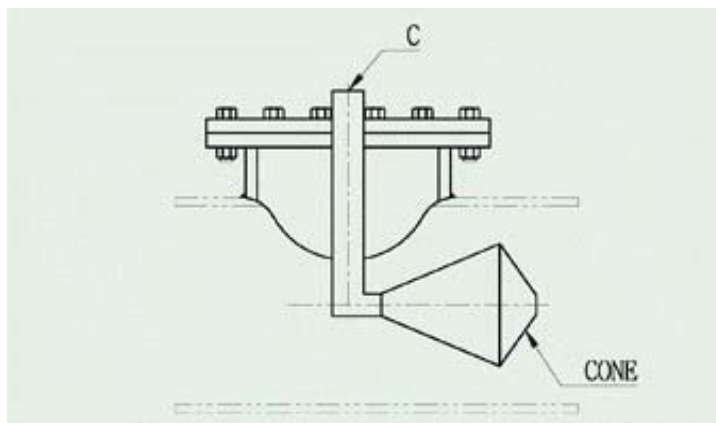
5

ANNULAR VENTURI METER DHAV-CC01

- Features : Unnecessary direct-connecting-pipe & low pressure loss
- Turndown Range : 10:1
- Material : Cone- STS304, STS316, Inconel, Monel, Hastelloy
Body-C.S, STS304, STS316, Inconel, Monel, Hastelloy
- Mounting : Flange 150#, 300#, 600#
- Installation : 1/2B~72B Pipe & Duct
- Accuracy : $\pm 0.5\%$ (Calibration)



ANNULAR VENTURI METER DHAV-CC02



- Features : Unnecessary direct-connecting-pipe & low pressure loss
- Turndown Range : 10:1
- Material : Cone- STS304, STS316, Inconel, Monel, Hastelloy
Body-C.S, STS304, STS316, Inconel, Monel, Hastelloy
- Mounting Connection : Pipe side
- Installation : 20B~72B Pipe & Duct
- Accuracy : $\pm 0.5\%$ (Calibration)

ORIFICE PLATE

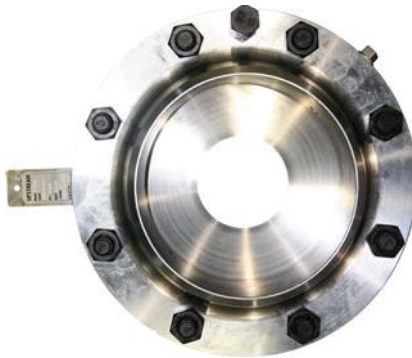
6

ORIFICE PLATE
DHOP



- Features : Low cost of installation & maintenance
- Turndown Range : 4:1
- Material : STS304, STS316, Inconel, Monel, Hastelloy, Teflon
- Mounting : Flange 150#, 300#, 600#, 900#
- Installation : 2B~92B(50A~2300A) Pipe & Duct
- Regulations : ISO5167-2
- Accuracy : $\pm 1.5\%$

ORIFICE PLATE & FLANGE
DHOF-W



- Features : Low cost of installation & maintenance
- Turndown Range : 4:1
- Material :
 - Plate : STS304, STS316, Inconel, Monel, Hastelloy, Teflon
 - Flange-C.S, STS304, STS316, Inconel, Monel, Hastelloy, A182 F11,F22,F51
- Mounting : Flange 300#, 600#, 900#
- Installation : 2B~24B(50A~600A) Pipe & Duct
- Regulations : ISO5167-2
- Accuracy : $\pm 1.5\%$

RING TYPE ORIFICE
DHOF-RING



- Features : Low cost of installation & maintenance,
Corner-tab type
- Turndown Range : 4:1
- Material :
 - Plate : STS304, STS316, Inconel, Monel, Hastelloy, Teflon
 - Ring-C.S, STS304, STS316, Inconel, Monel, Hastelloy, Teflon
- Mounting : Flange 150#, 300#
- Installation : 2B~36B(50A~900A) Pipe & Duct
- Regulations : ISO5167-2
- Accuracy : $\pm 1.5\%$

RESTRICTION ORIFICE
DHRO-SH



- Features : Decompression single hole plate
 - Material : STS304, STS316, Inconel, Monel, Hastelloy, Teflon
 - Mounting : Flange 150#, 300#, 600#, 900#, 1500#, 2500#
 - Installation : 1/2B~36B(15A~900A) Pipe
-

RESTRICTION ORIFICE

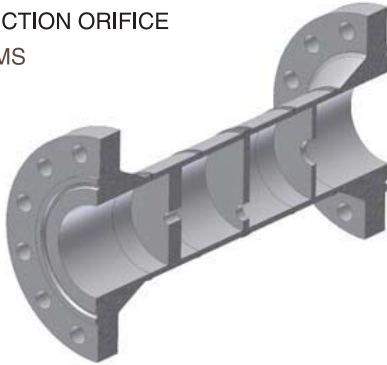
7

RESTRICTION ORIFICE
DHRO-MH



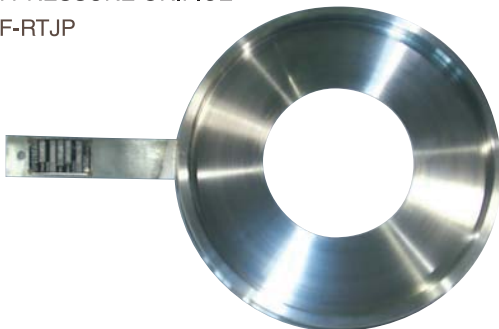
- Features : Decompression single hole plate
- Material : STS304, STS316, Inconel, Monel, Hastelloy, Teflon
- Mounting : Flange 150#, 300#, 600#, 900#, 1500#, 2500#
- Installation : 1/2B~36B(15A~900A) Pipe

RESTRICTION ORIFICE
DHRO-MS



- Features : Multi hole plate to solve lengthening recovery zone using decompression single hole plate
- Material : STS304, STS316, Inconel, Monel, Hastelloy
- Mounting : Flange 150#, 300#, 600#, 900#, 1500#, 2500#
- Installation : 1/2B~36B(15A~900A) Pipe

HIGH PRESSURE ORIFICE
DHOF-RTJP



- Features : For High pressure
- Turndown Range : 4:1
- Material : Plate : STS304, STS316, Inconel, Monel, Hastelloy
- Mounting : Flange 900#, 1500#, 2500#
- Installation : 2B~24B(50A~600A) Pipe
- Regulations : ISO5167-2
- Accuracy : $\pm 1.5\%$

HIGH PRESSURE ORIFICE
DHOF-RTJF



- Features : For High pressure
 - Turndown Range : 4:1
 - Material :
 - Plate : STS304, STS316, Inconel, Monel, Hastelloy
 - Flange-C.S, STS304, STS316, Inconel, Monel, Hastelloy, A182 F11, F22, F51
 - Mounting : Flange 900#, 1500#, 2500#
 - Installation : 2B~24B(50A~600A) Pipe
 - Regulations : ISO5167-2
 - Accuracy : $\pm 1.5\%$
-

INTEGRAL ORIFICE

8

HIGH ACCURACY ORIFICE
DHOF-H



- Features : High accuracy
- Turndown Range : 4:1
- Material :
 - Plate : STS304, STS316, Inconel, Monel, Hastelloy, Teflon
 - Flange-C.S, STS304, STS316, Inconel, Monel, Hastelloy, A182 F11,F22,F51
- Mounting : Flange 300#, 600#, 900#,1500#
- Installation : 2B~24B(50A~600A) Pipe & Duct
- Regulations : ISO5167-2
- Accuracy : In less than $\pm 0.3\%$ calibration

INTEGRAL ORIFICE
DHIO-FM



- Features : Transmitter, Meter Run All-in-one type
- Turndown Range : 4:1
- Material :
 - Plate : STS304, STS316, Inconel, Monel, Hastelloy
 - Flange&Meter Run-C.S, STS304, STS316, Inconel, Monel, Hastelloy, A182 F11,F22,F51
- Mounting : Flange 150#, 300#
- Installation : 1/2B~2-1/2B(15A~65A) Pipe
- Regulations : ISO5167-2
- Accuracy : $\pm 1.5\%$

INTEGRAL ORIFICE
DHIO-BN



- Features : Transmitter, Block All-in-one type
- Turndown Range : 4:1
- Material : STS304, STS316, Inconel, Monel, Hastelloy
- Mounting : Flange 150#, 300#, 600#, 900#, 1500#
- Installation : 1/2B~8B(15A~200A) Pipe
- Regulations : ISO5167-2
- Accuracy : $\pm 1.5\%$

INTEGRAL ORIFICE
DHIO-BY



- Features : Transmitter, Meter Run All-in-one type
- Turndown Range : 4:1
- Material :
 - Plate : STS304, STS316, Inconel, Monel, Hastelloy
 - Flange&Meter Run-C.S, STS304, STS316, Inconel, Monel, Hastelloy, A182 F11,F22,F51
- Mounting : Flange 150#, 300#, 600#, 900#, 1500#
- Installation : 1/2B~8B(15A~200A) Pipe
- Regulations : ISO5167-2
- Accuracy : $\pm 1.5\%$

VENTURI TUBE

9

VENTURI TUBE
DHOV-FF



- Features : Welding sheet plate type, Flange mounting type
- Turndown Range : 6:1
- Material : Carbon Steel, STS304, STS316, Inconel, Monel, Hastelloy
- Mounting : Flange 150#, 300#
- Installation : More 4B (More 100A) Pipe & Duct
- Regulations : ISO5167-4
- Accuracy : $\pm 2.0\%$

VENTURI TUBE
DHOV-FW



- Features : Welding sheet plate type Welding mounting type
- Turndown Range : 6:1
- Material : Carbon Steel, STS304, STS316, Inconel, Monel, Hastelloy
- Mounting : Flange 150#, 300#
- Installation : More 4B (More 100A) Pipe & Duct
- Regulations : ISO5167-4
- Accuracy : $\pm 2.0\%$

VENTURI TUBE
DHOV-MF



- Features : Machinery processing type, Flange mounting type
- Turndown Range : 6:1
- Material : Carbon Steel, STS304, STS316, Inconel, Monel, Hastelloy
- Mounting : Flange 150#, 300#, 600#, 900#, 1500#, 2500#
- Installation : 2B~14B(50A~300A) Pipe
- Regulations : ISO5167-4
- Accuracy : $\pm 1.0\%$

VENTURI TUBE
DHOV-MW



- Features : Machinery processing type, Welding mounting type
- Turndown Range : 6:1
- Material : Carbon Steel, STS304, STS316, Inconel, Monel, Hastelloy
- Mounting : Flange 150#, 300#, 600#, 900#, 1500#, 2500#
- Installation : 2B~14B(50A~300A) Pipe
- Regulations : ISO5167-4
- Accuracy : $\pm 1.0\%$

VENTURI TUBE
DHOV-RE



- Features : Welding steel plate type, Rectangle
- Turndown Range : 6:1
- Material : Carbon Steel, STS304, STS316, Inconel, Monel, Hastelloy
- Mounting : Duct
- Installation : More 6B (more 150A) Duct
- Regulations : ISO5167-4
- Accuracy : $\pm 2.0\%$

VENTURI NOZZLE

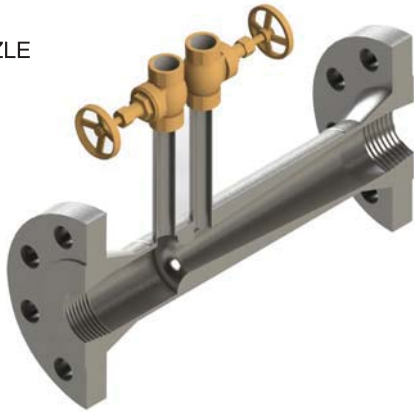
10

VENTURI NOZZLE
DHOV-N-TM



- Features : Male screw mounting type
- Turndown Range : 6:1
- Material : Carbon Steel, STS304, STS316, Inconel, Monel, Hastelloy
- Mounting : Screw 1/2B~2B(15A~50A)
- Installation : 1/2B~2B(15A~50A) Pipe
- Regulations : ISO5167-3
- Accuracy : $\pm 2.0\%$

VENTURI NOZZLE
DHOV-N-TF



- Features : Female screw mounting type
- Turndown Range : 6:1
- Material : Carbon Steel, STS304, STS316, Inconel, Monel, Hastelloy
- Mounting : Screw 1/2B~2B(15A~50A)
- Installation : 1/2B~2B(15A~50A) Pipe
- Regulations : ISO5167-3
- Accuracy : $\pm 2.0\%$

VENTURI NOZZLE
DHOV-N-BW



- Features : Butt welding mounting type
- Turndown Range : 6:1
- Material : Carbon Steel, STS304, STS316, Inconel, Monel, Hastelloy
- Mounting : Butt Weld
- Installation : 2B~120B(50A~3000A) Pipe
- Regulations : ISO5167-3
- Accuracy : $\pm 2.0\%$

VENTURI NOZZLE
DHOV-N-FL



- Features : Flange mounting type
- Turndown Range : 6:1
- Material : Carbon Steel, STS304, STS316, Inconel, Monel, Hastelloy
- Mounting : Flange 150#, 300#, 600#, 900#, 1500#, 2500#
- Installation : 2B~120B(50A~3000A) Pipe
- Regulations : ISO5167-3
- Accuracy : $\pm 2.0\%$

FLOW NOZZLE
DHON-BW



- Features : Butt welding mounting type
- Turndown Range : 6:1
- Material : Carbon Steel, STS304, STS316, Inconel, Monel, Hastelloy
- Mounting : Butt Weld
- Installation : 2B~24B(50A~600A) Pipe
- Regulations : ISO5167-3
- Accuracy : $\pm 2.0\%$

FLOW NOZZLE
DHON-HR



- Features : Holding ring mounting type
- Turndown Range : 6:1
- Material : Carbon Steel, STS304, STS316, Inconel, Monel, Hastelloy
- Mounting : Butt Weld
- Installation : 2B~24B(50A~600A) Pipe
- Regulations : ISO5167-3
- Accuracy : $\pm 2.0\%$

FLOW NOZZLE
DHON-FL



- Features : Flange mounting type
 - Turndown Range : 6:1
 - Material : Carbon Steel, STS304, STS316, Inconel, Monel, Hastelloy
 - Mounting : Flange 150#, 300#, 600#, 900#, 1500#, 2500#
 - Installation : 2B~24B(50A~600A) Pipe
 - Regulations : ISO5167-3
 - Accuracy : $\pm 2.0\%$
-

WEDGE METER

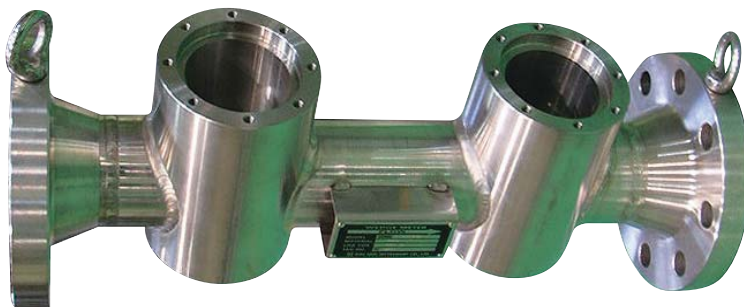
12

WEDGE METER
DHWM-F



- Features : Suitable for high viscosity & included sludge liquid
- Remote Seal Type D/P Transmitter
- Turndown Range : 6:1
- Material : Carbon Steel, STS304, STS316, Inconel, Monel, Hastelloy, Tungsten carbide coating
- Mounting : Flange 150#, 300#, 600#, 900#, 1500#
- Installation : 2B~24B(50A~600A) Pipe
- Regulations : DHQ1023
- Accuracy : $\pm 2.0\%$ Calibration $\pm 0.5\%$

WEDGE METER
DHWM-T



- Features : Suitable for high viscosity & included sludge liquid
 - Remote Seal chemical Tee Type D/P Transmitter
 - Turndown Range : 6:1
 - Material : Carbon Steel, STS304, STS316, Inconel, Monel, Hastelloy, Tungsten carbide coating
 - Mounting : Flange 150#, 300#, 600#, 900#, 1500#
 - Installation : 2B~24B(50A~600A) Pipe
 - Regulations : DHQ1023
 - Accuracy : $\pm 2.0\%$ Calibration $\pm 0.5\%$
-

GAS FLOW METER & SWITCH

13

GAS FLOW METER & SWITCH
DPDT



- Features : For Gas not included sludge and incorrodible
- Turndown Range : 6:1
- Material : STS304, STS316
- Mounting : Flange 150#, 300#
- Installation : 3/8B~24B(10A~600A) Pipe
- Display : LCD
- Power : DC24V
- Output : 4~20mA or 1~5V DC, Contact
- Accuracy : $\pm 1.5\%$

GAS FLOW METER & SWITCH
DPLT



- Features : For Gas not included sludge and incorrodible,
- Turndown Range : 6:1
- Material : STS304, STS316
- Mounting : Flange 150#, 300#
- Installation : 3/8B~24B(10A~600A) Pipe
- Display : LCD
- Power : DC24V
- Output : 4~20mA or 1~5V DC, Contact
- Accuracy : $\pm 1.5\%$

GAS FLOW METER & SWITCH
DSDT



- Features : For Gas not included sludge and incorrodible,
Explosion proof type
- Turndown Range : 6:1
- Material : STS304, STS316
- Mounting : Flange 150#, 300#
- Installation : 3/8B~24B(10A~600A) Pipe
- Display : LED
- Power : AC100~220V 50/60Hz
- Output : 4~20mA or 1~5V DC, Contact
- Accuracy : $\pm 1.5\%$

GAS FLOW METER & SWITCH
DSLTL



- Features : For Gas not included sludge and incorrodible,
Explosion proof type
- Turndown Range : 6:1
- Material : STS304, STS316
- Mounting : Flange 150#, 300#
- Installation : 3/8B~24B(10A~600A) Pipe
- Display : LED
- Power : AC100~220V 50/60Hz

PARSHALL FLUME
FLOW METER
DHPF-U



- HE101FI-FTU-100 chdmavk same with purse-type open channel flowmeter

FLOW COMPUTER SKE-3300

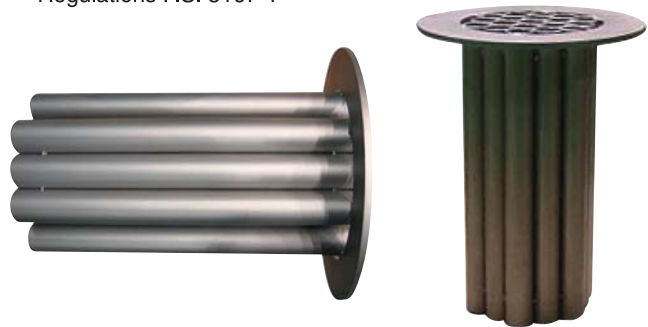


- Features : A computer Providing DC 24V in 2wire type with Steam, gas flowmeter, and Displaying, adding up, and printing signal of output(digital, analog, pulse), temperature, atmospheric pressure in digital form.
- Mount : Panel
- Power : AC110~220V 50/60Hz
- Output : 4~20mA, RS485, Pulse

FLOW CONDITIONER DH19-TB



- Features : 19 tubes are arranged in pipe in parallel for stability of fluid-flow.
- Material : STS304, STS316, Inconel, Monel, Hastelloy
- Mounting : Flange 150#, 300#, 600#, 900#, 1500#, 2500#
- Regulations : ISI 5167-1



CONDENSATE POT DHCP



- Features : Protect the gauge from steam.
- Material : C.S, STS304, STS316, Inconel, Monel, Hastelloy, A182 F11,F22,F51
- Size : 2B, 2-1/2B, 3B, 4B
- Mounting : 1/2SW, 1/2 PT or NPT, 3/4SW, 3/4 PT or NPT



STEADY FLOW METER

15

STEADY FLOW METER
SFM300



- Features : Shank due to turbulent flow on measuring,
Built-in type for measuring error-prevention.
- Turndown Range : 6:1
- Material : Carbon Steel, STS304, STS316, Inconel, Monel,
Hastelloy
- Mounting : Flange 150#, 300#, Ducts
- Installation : More 4B (more 100A) Pipe & Duct
- Accuracy : $\pm 2.0\%$

STEADY FLOW METER
SFM305



- Features : In large duct or pipe case, Insertion type product
containing a commutator and flow element for
Saving cost and stable measuring
 - Turndown Range : 6:1
 - Material : Carbon Steel, STS304, STS316, Inconel, Monel,
Hastelloy
 - Mounting : Insertion Flange 150#, 300#, Ducts
 - Installation : More 20B (more 500A) Pipe & Duct
 - Accuracy : $\pm 2.0\%$
-

THERMOCOUPLE

16

THERMOCOUPLE
DTC



- Features : Thermocouple shaped sheath pipe
- Mounting : Screw & Flange
- Range : K=0~1200 °C
R=600~1600 °C
Etc=J, T, E, N, B, S
- Sheath Material : STS304, STS316, STS310, STS446,
Inconel600, Hastelloy
- Regulations : ASTM E230

SHEATH THERMOCOUPLE
DST



- Features : Thermocouple shaped MI Cable
- Mounting : Screw & Flange
- Range : K=0~1200 °C
R=600~1600 °C
Etc=J, T, E, N, B, S
- Sheath Material : STS316, STS310, STS446, Inconel600,
Hastelloy
- Regulations : ASTM E230

RESISTANCE TEMPERATURE DETECTOR
DRB



- Features : Sensing resistor shaped sheath pipe
- Mounting : Screw & Flange
- Range : -200~600 °C
- Element : PT100, PT1000 ohm
- Sheath Material : STS304, STS316, STS310, STS446,
Inconel600, Hastelloy
- Regulations : DIN 43760, IEC 751 : 1983

SHEATH RESISTANCE TEMPERATURE DETECTOR
DSR



- Features : Sensing resistor shaped MI Cable
 - Mounting : Screw & Flange
 - Range : -200~600 °C
 - Element : PT100, PT1000 ohm
 - Sheath Material : STS304, STS316, STS310, STS446,
Inconel600, Hastelloy
 - Regulations : DIN 43760, IEC 751 : 1983
-

TEMPERATURE TRANSMITTER

17

TEMPERATURE TRANSMITTER
DHRT



- Features : Transmitter containing PT100 ohmr
- Mounting : Screw & Flange
- Range : -200~600 °C
- Sheath Material : STS304, STS316, Inconel600
- Power : DC24V
- Output : 4-20mA 2-Wire

TEMPERATURE TRANSMITTER
DHTC



- Features : Transmitter containing thermocouple
- Mounting : Screw & Flange
- Range : -0~1200 °C
- Sheath Material : STS304, STS316, Inconel600
- Power : DC24V
- Output : 4-20mA 2-Wire

EXTENSION & CONDENSATING CABLE



FLOW VELOCITY METER / DHF-300

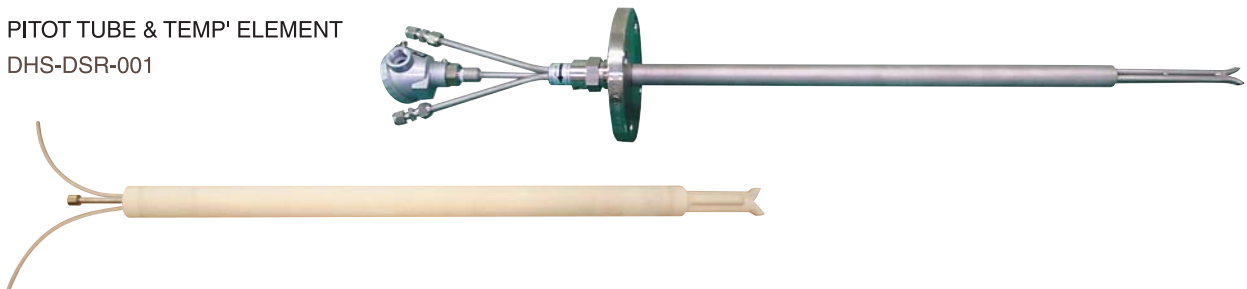
18

FLOW VELOCITY METER
DHF-300



- Features : Type approval of measuring for chimney exhaust gases
- Range : 0~5, 6, 7, 8m/s
0~10, 12, 15, 18, 20, 25, 30, 35, 40m/s
- Mount :
- Power : AC110~220V
- Type Approval : NIER

PITOT TUBE & TEMP' ELEMENT
DHS-DSR-001



TEMP' ELEMENT
DSR-003



SAMPLE GAS PROBE

